

GORILLA SPORTS

FLAT BENCH (100895)

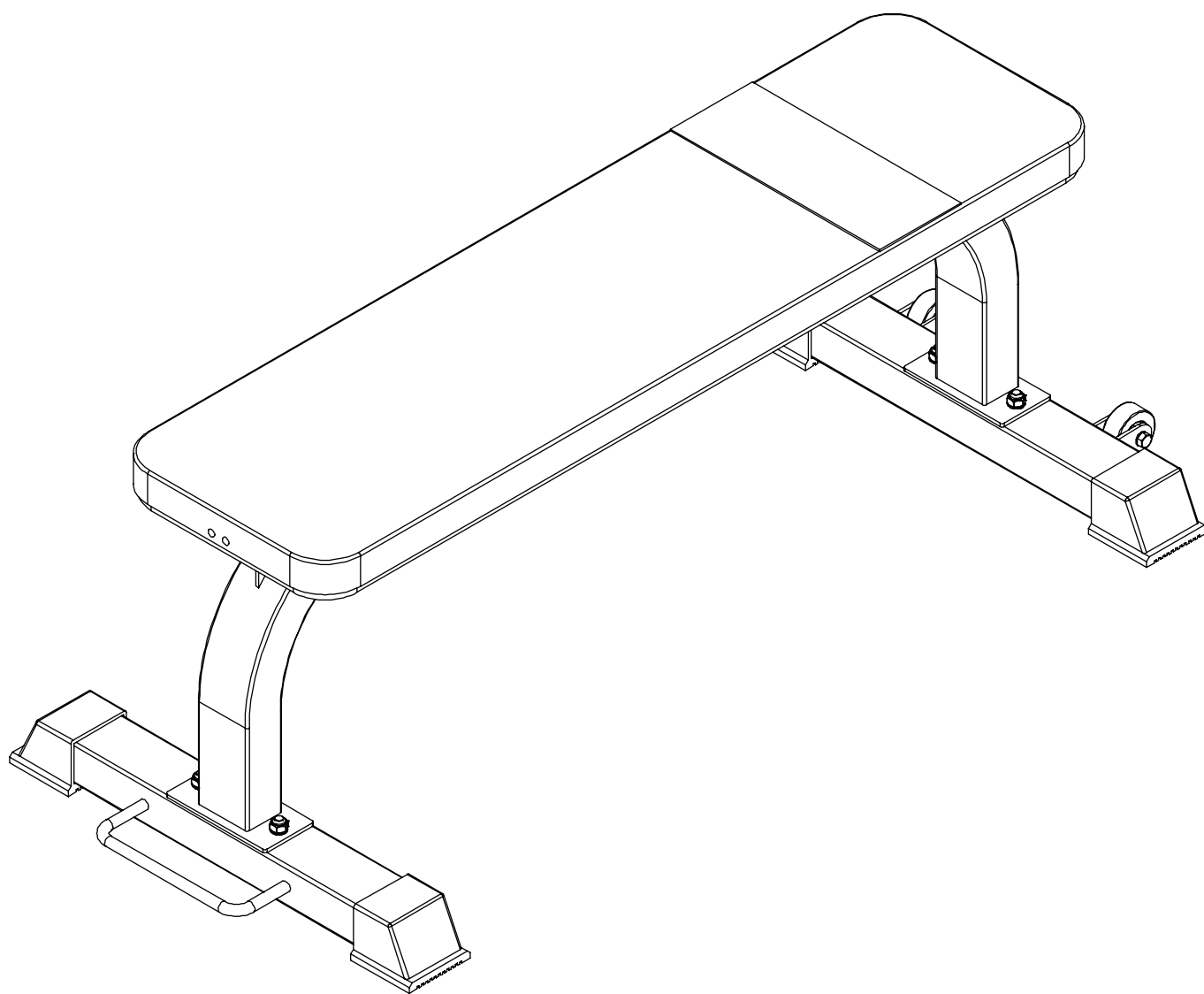


Table of Contents

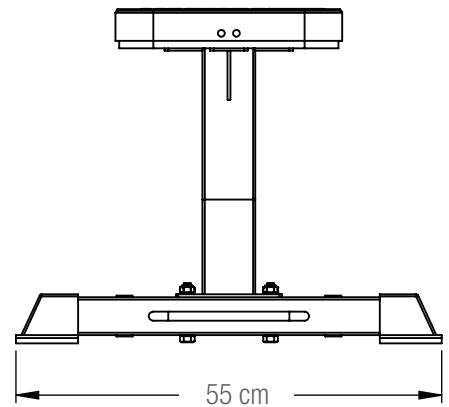
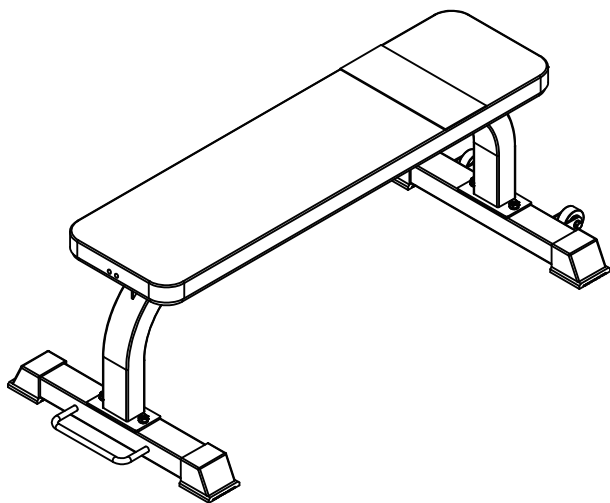
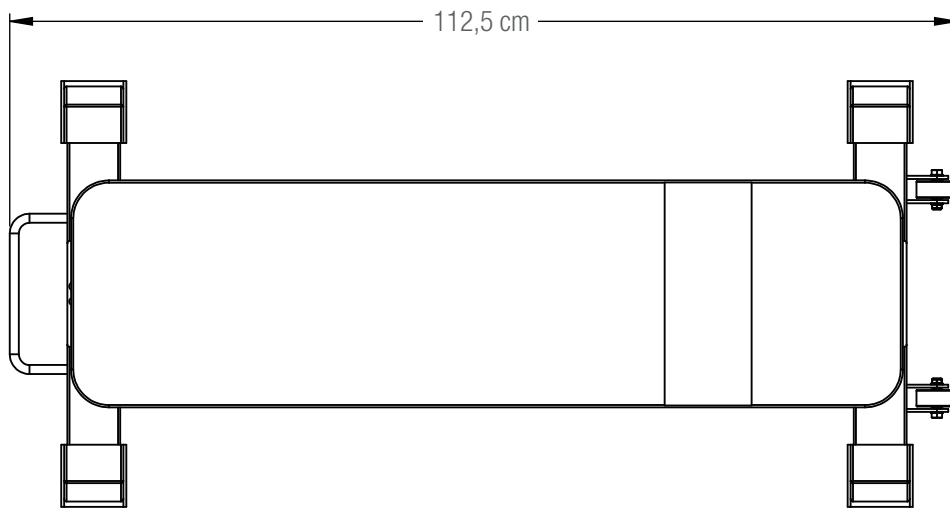
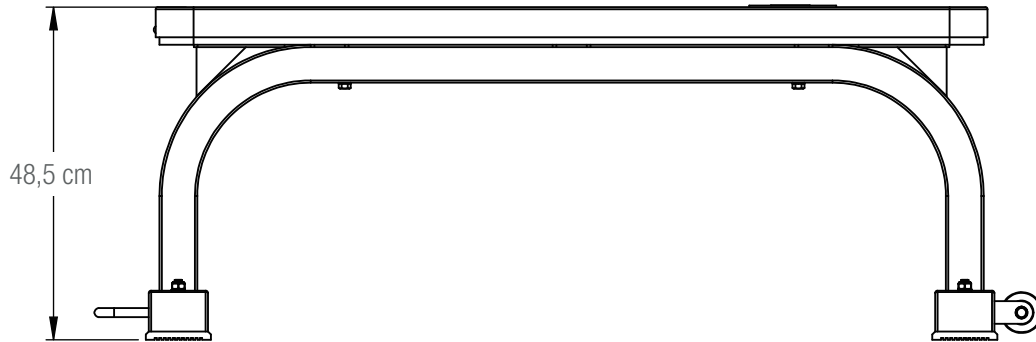


GORILLA SPORTS

PROFESSIONAL GYM EQUIPMENT FOR EVERYONE

Parametric Diagram.....	3
Product load-bearing instructions.....	4
Spare parts list	5
Fasteners drawing	6
Assembly step(1).....	7
Assembly step(2).....	8

Parametric Diagram

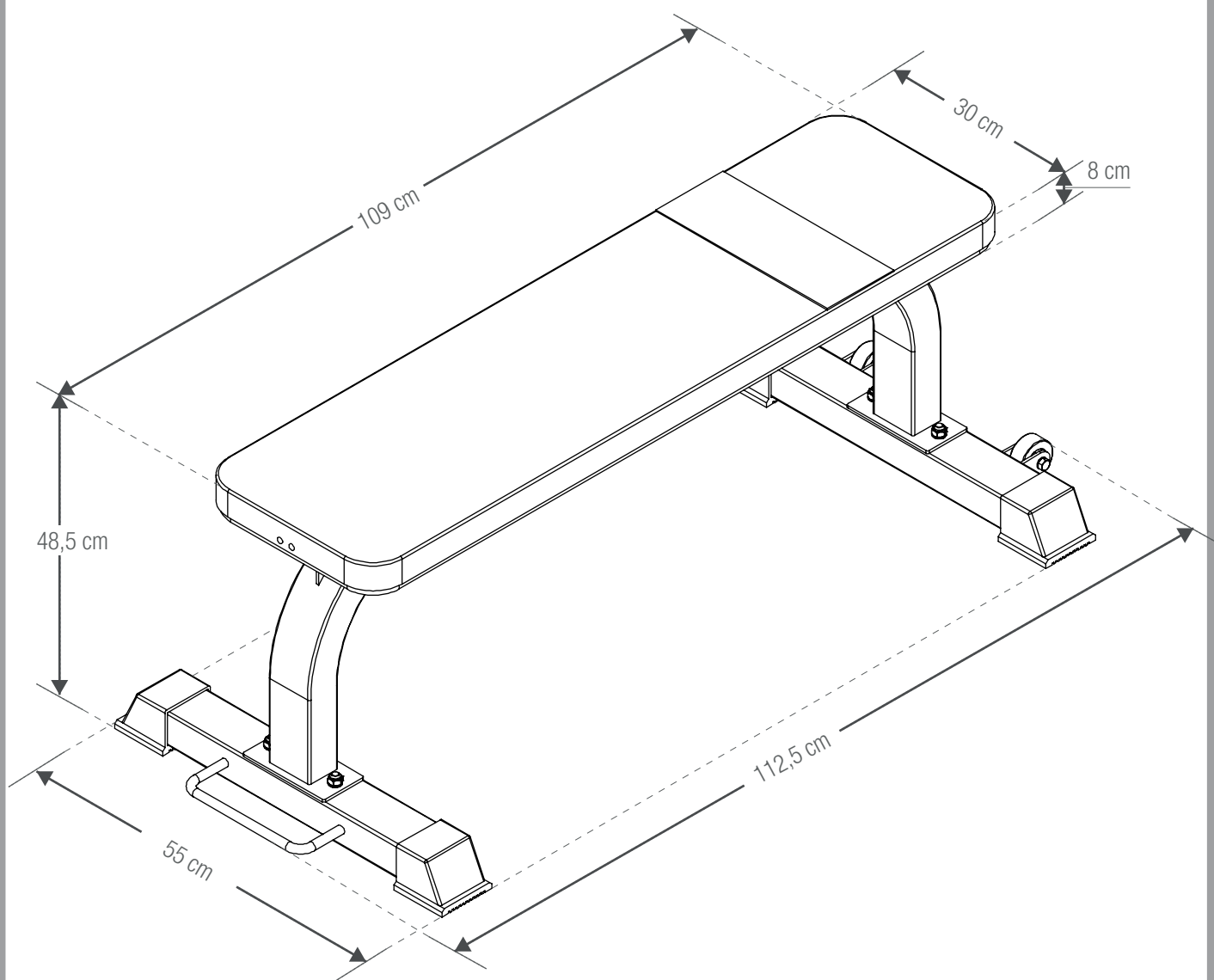


Product load-bearing instructions



GORILLA SPORTS

PROFESSIONAL GYM EQUIPMENT FOR EVERYONE



Maximum load: 200 kg
Maximum user load: 180 kg

Spare parts list



GORILLA SPORTS

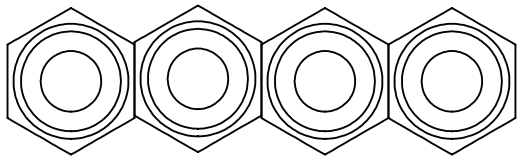
PROFESSIONAL GYM EQUIPMENT FOR EVERYONE

NO.	Description	Note	Qty.
1	front ground tube		1
2	main bending tube		1
3	back ground tube		1
4	hexagon bolt	M10*70	4
5	washer	φ 10	8
6	lock nut	M10	4
7	back cushion		1
8	hexagon bolt	M8*65	2
9	washer	φ8	2

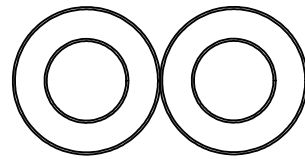


GORILLA SPORTS

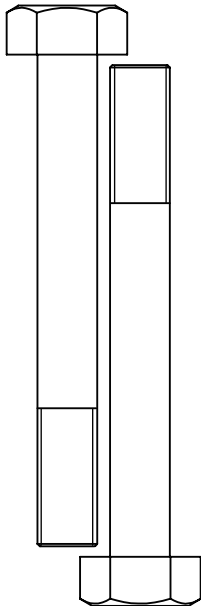
PROFESSIONAL GYM EQUIPMENT FOR EVERYONE



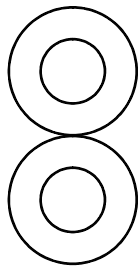
M10 4 PCS



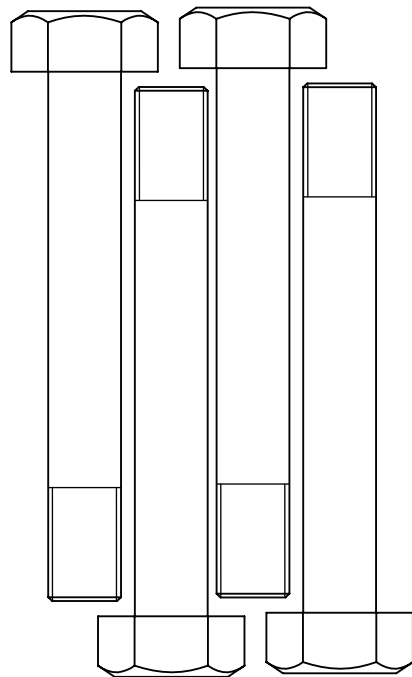
ϕ 10 8 PCS



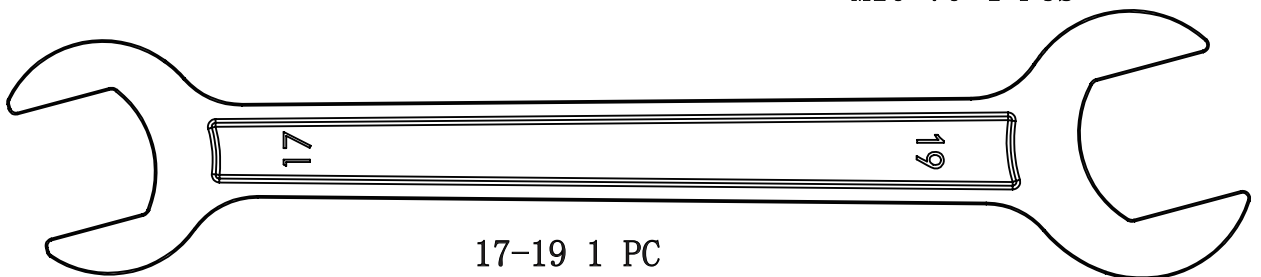
M8*65 2 PCS



ϕ 8 2 PCS



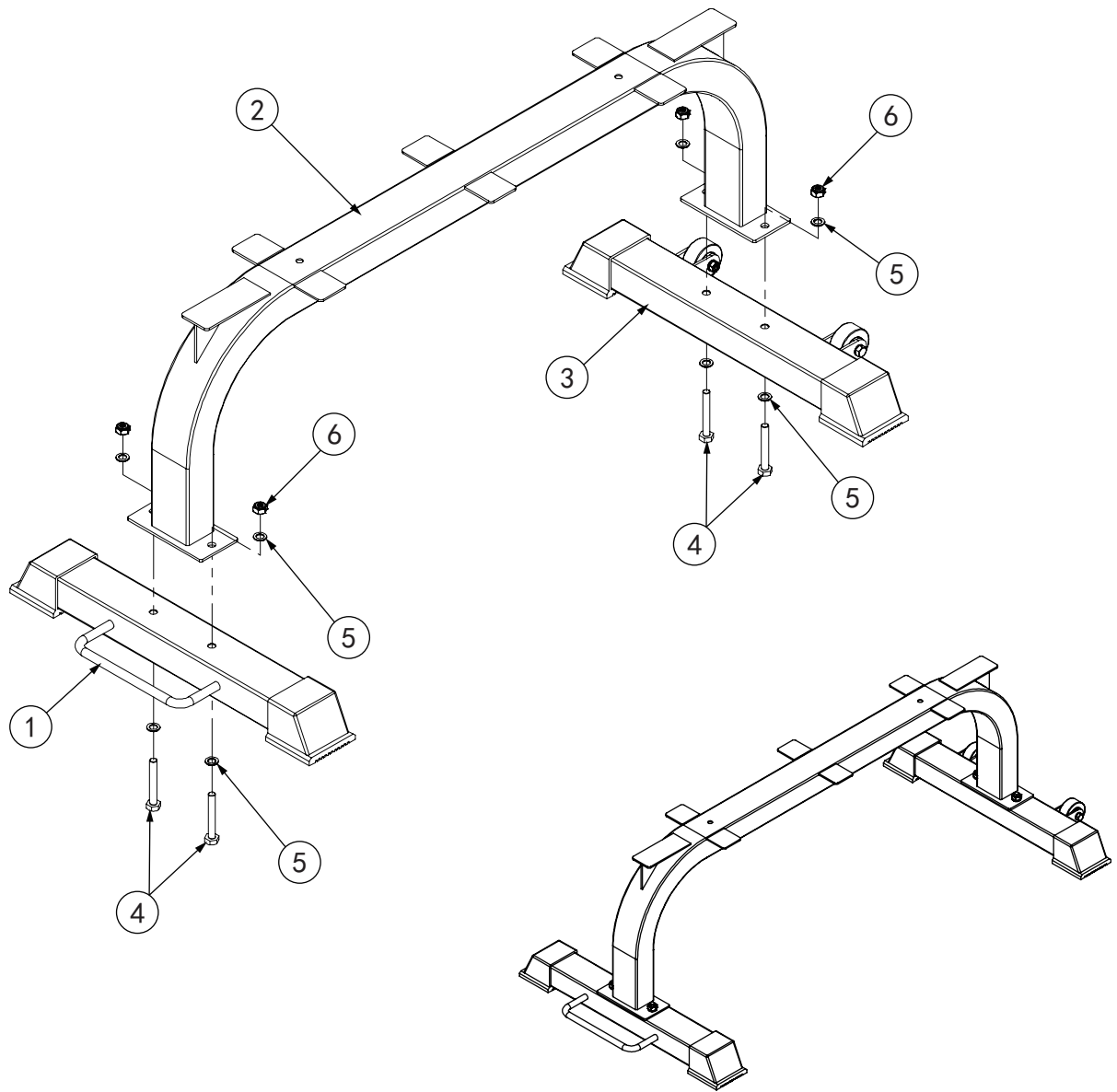
M10*70 4 PCS



17-19 1 PC

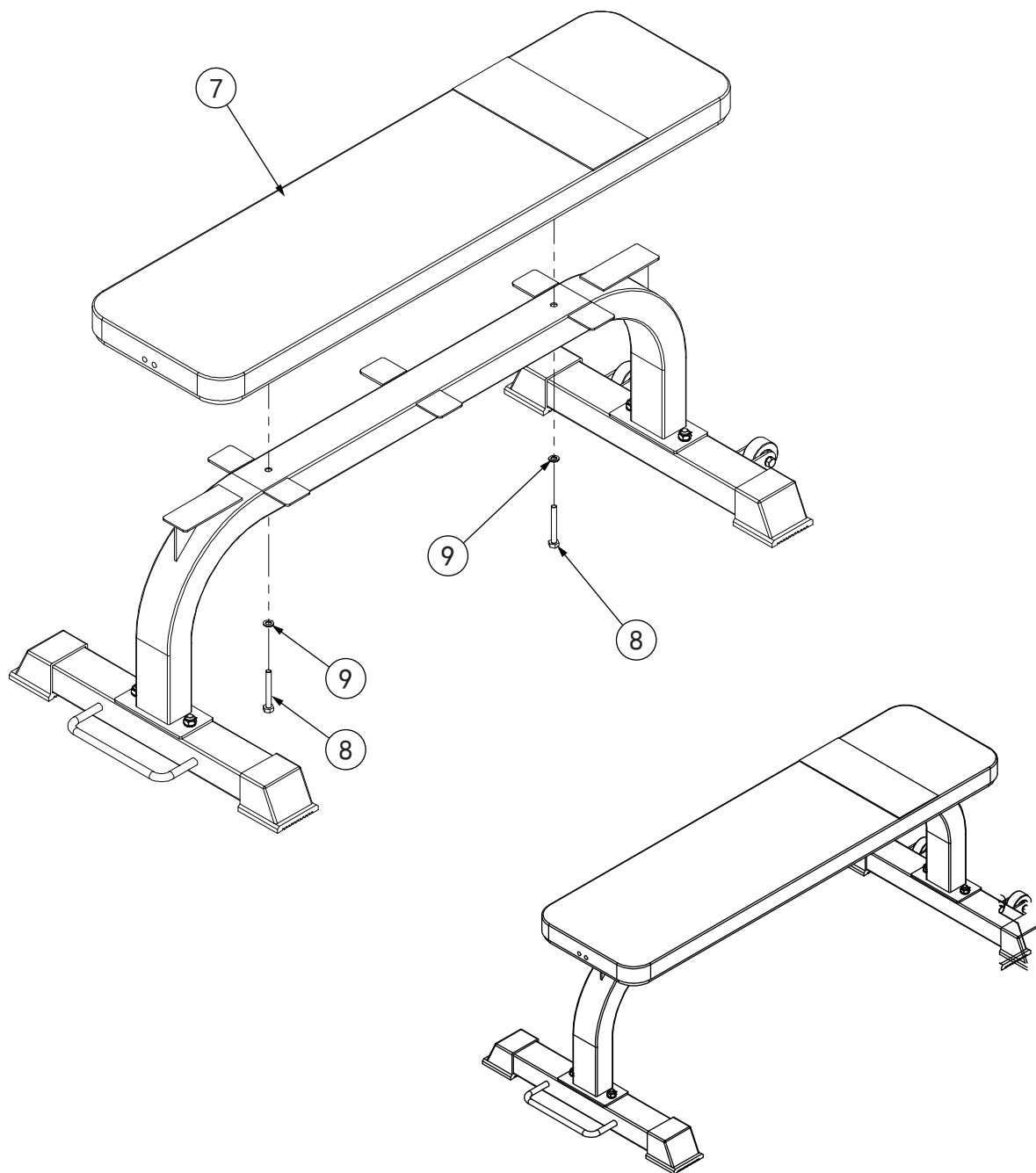


Assembly step (1) explosion drawing



No.	Description	Note	Qty.
1	front ground tube		1
2	main bending tube		1
3	back ground tube		1
4	hexagon bolt	M10*70	4
5	washer	φ 10	8
6	lock nut	M10	4

Assembly step (2) explosion drawing



No.	Description	Note	QTY.
7	back cushion		1
8	hexagon bolt	M8*65	2
9	washer	φ 8	2