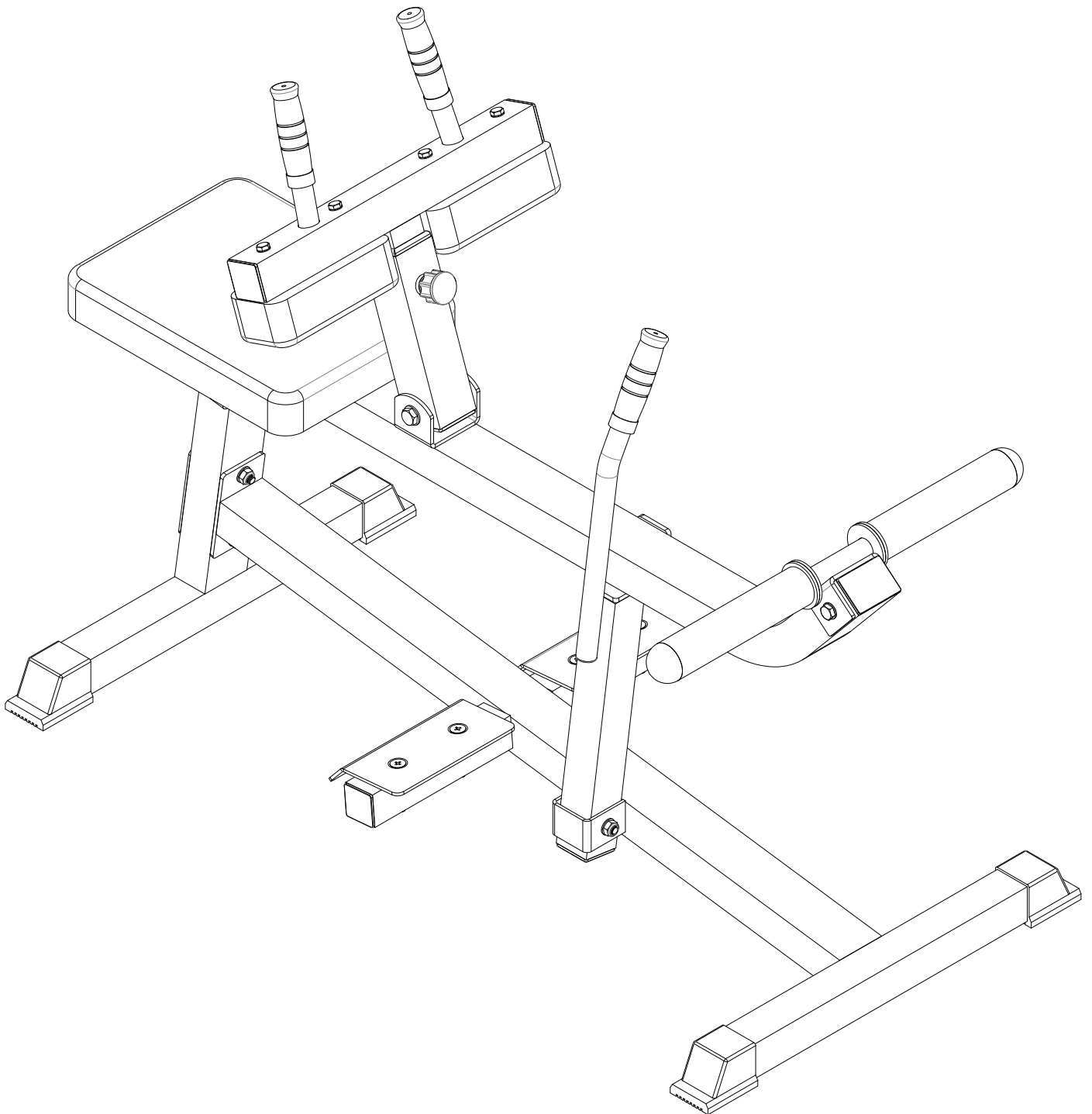


GORILLA SPORTS

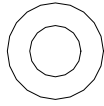
Calf machine (100866)





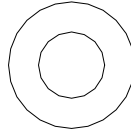
GORILLA SPORTS

Washer: ($\Phi 8$)



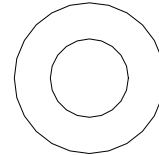
7X

Washer: ($\Phi 10$)



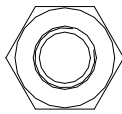
16X

Washer: ($\Phi 12$)



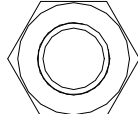
4X

Lock Nut: (M10)



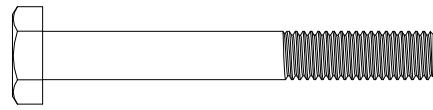
9X

Lock Nut: (M12)



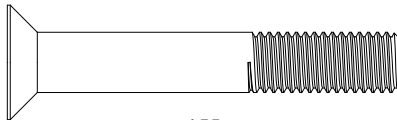
2X

Hex Bolt: (M8*65)



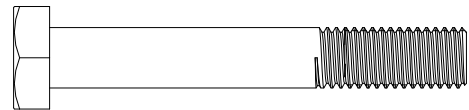
5X

Countersunk Bolt: (M10*60)



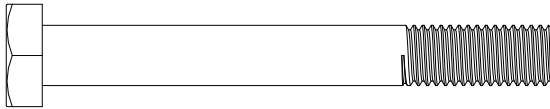
4X

Hex Bolt: (M10*75)



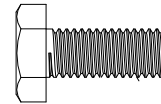
3X

Hex Bolt: (M10*90)



1X

Hex Bolt: (M8*20)



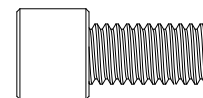
2X

Hex Bolt: (M10*95)



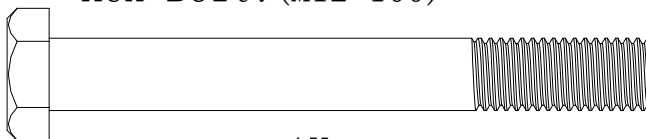
1X

Hexagon Socket Head Cap
Screws: (M10*20)



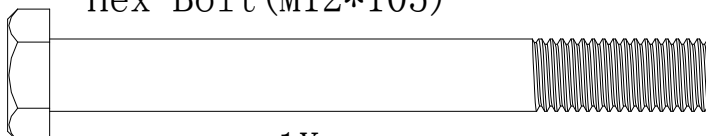
2X

Hex Bolt: (M12*100)



1X

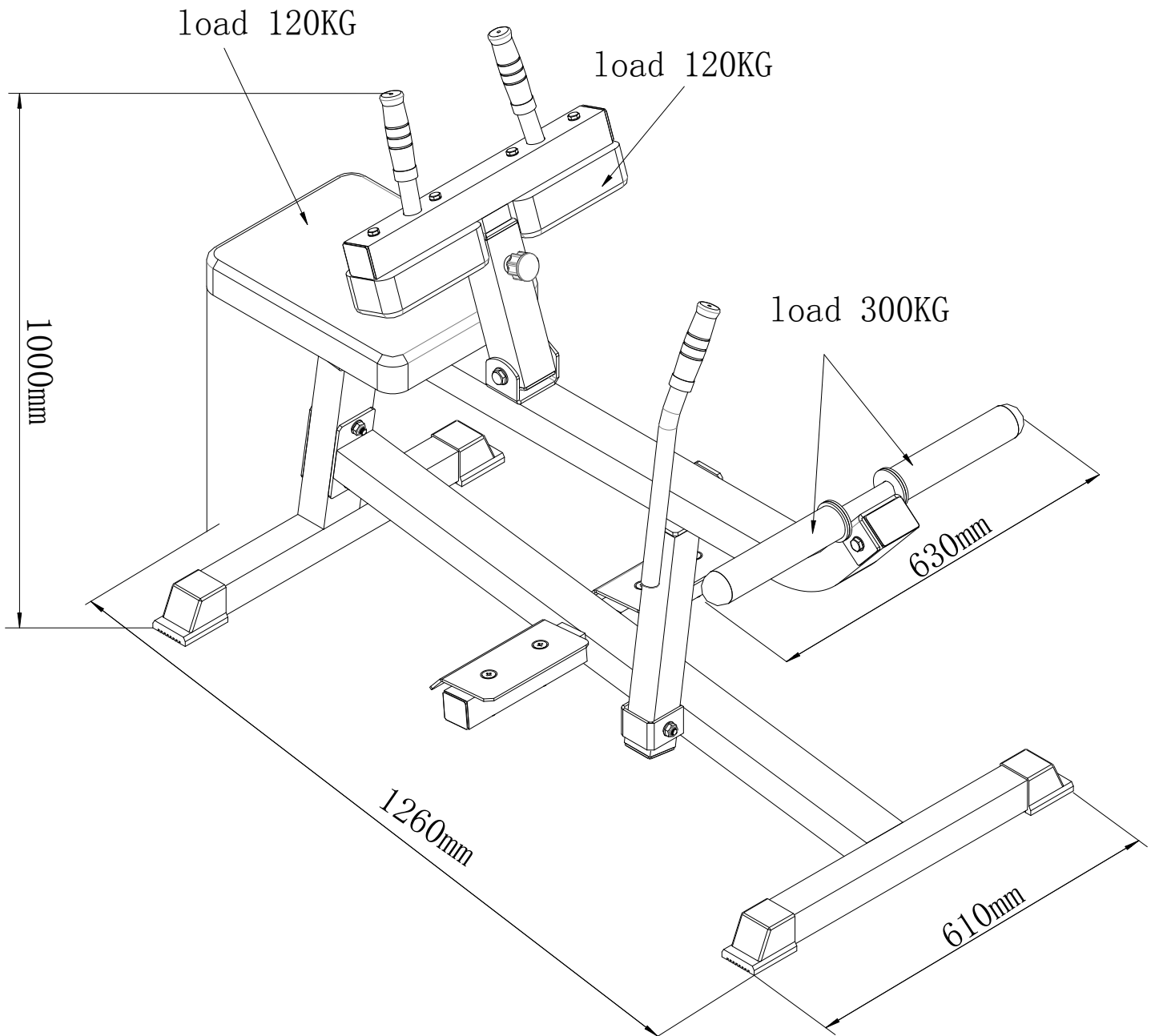
Hex Bolt (M12*105)



1X

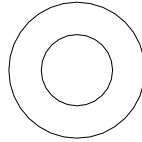


GORILLA SPORTS

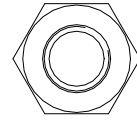


Maximum load 300KG

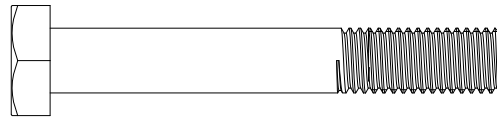
1



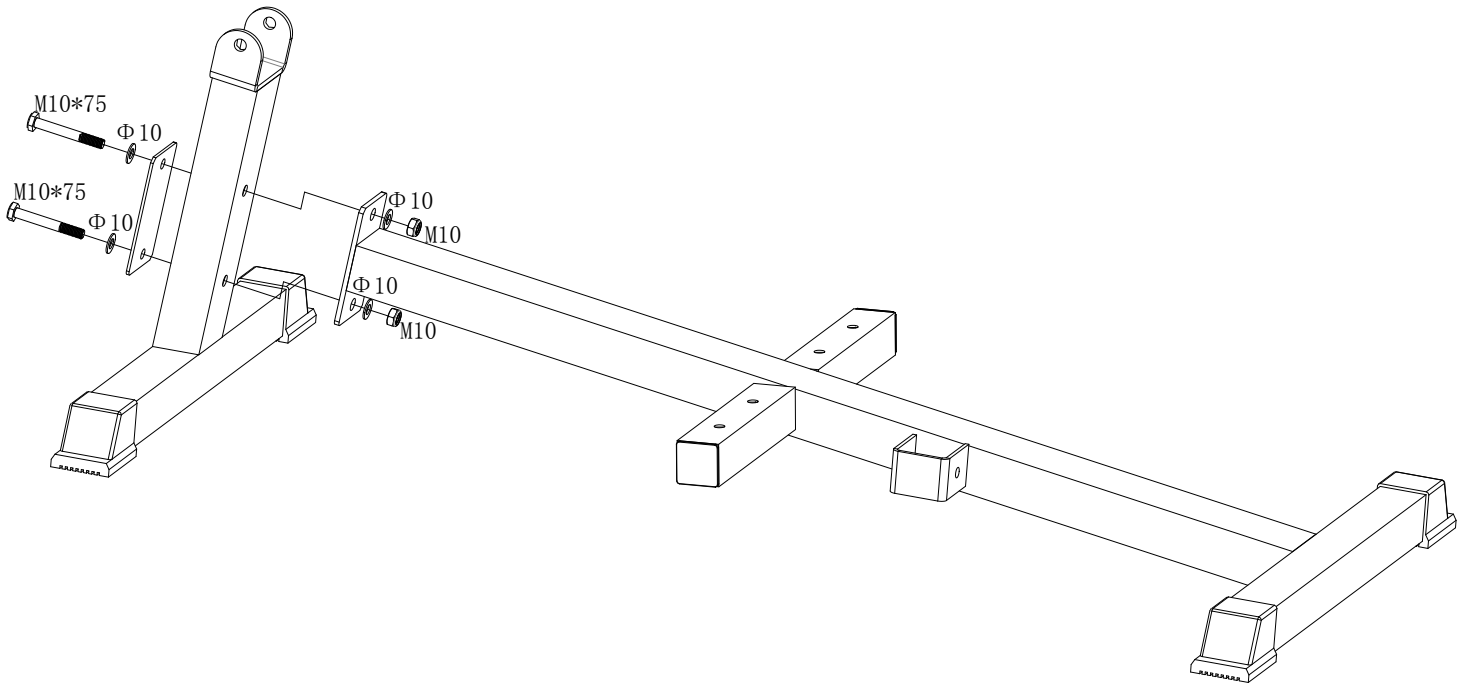
Washer (Φ 10) - 4PCS



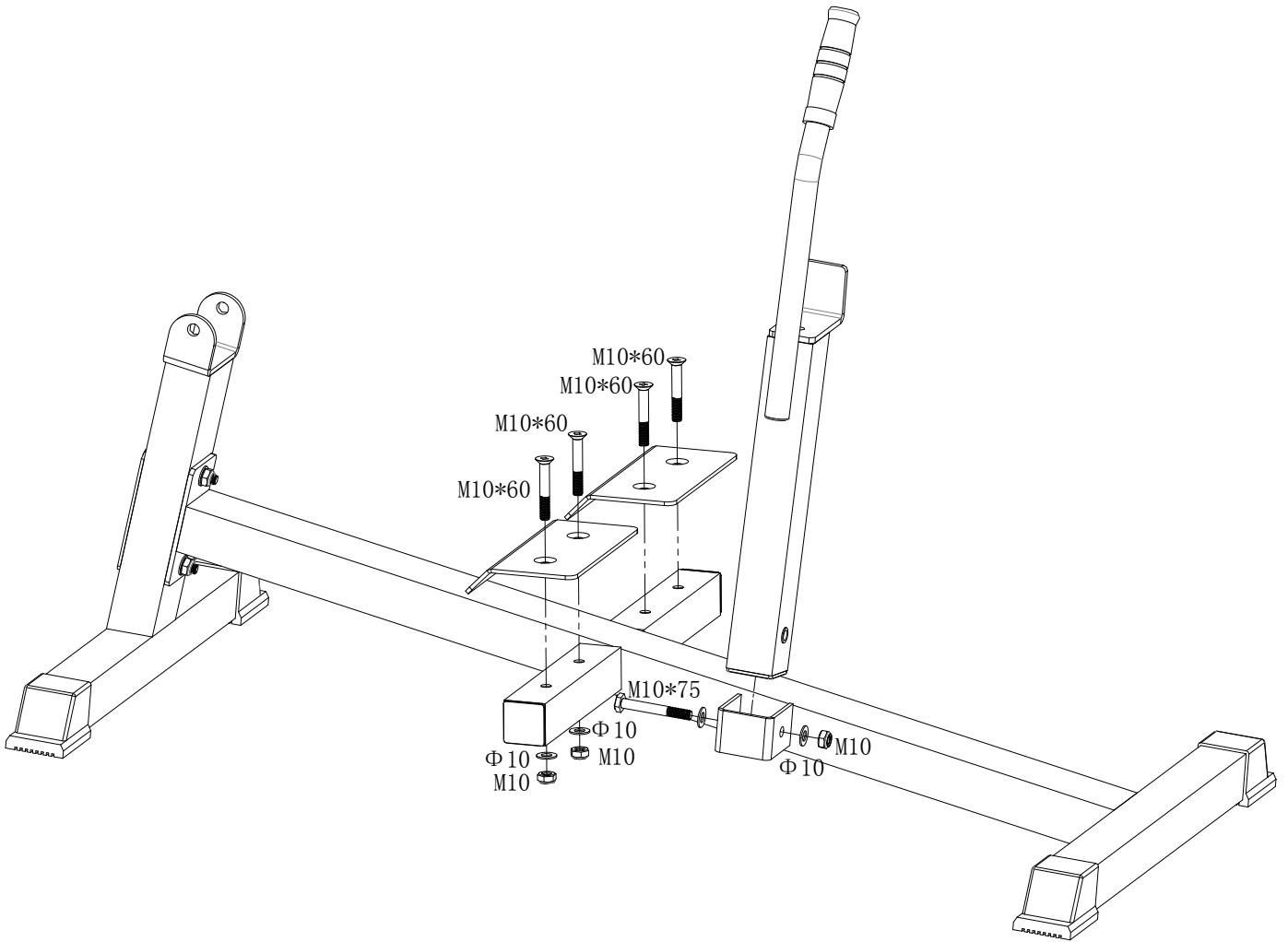
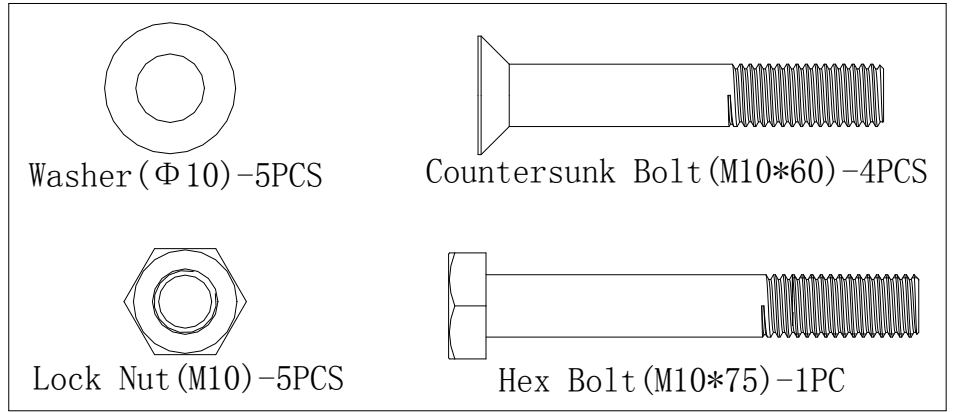
Lock Nut (M10) - 2PCS



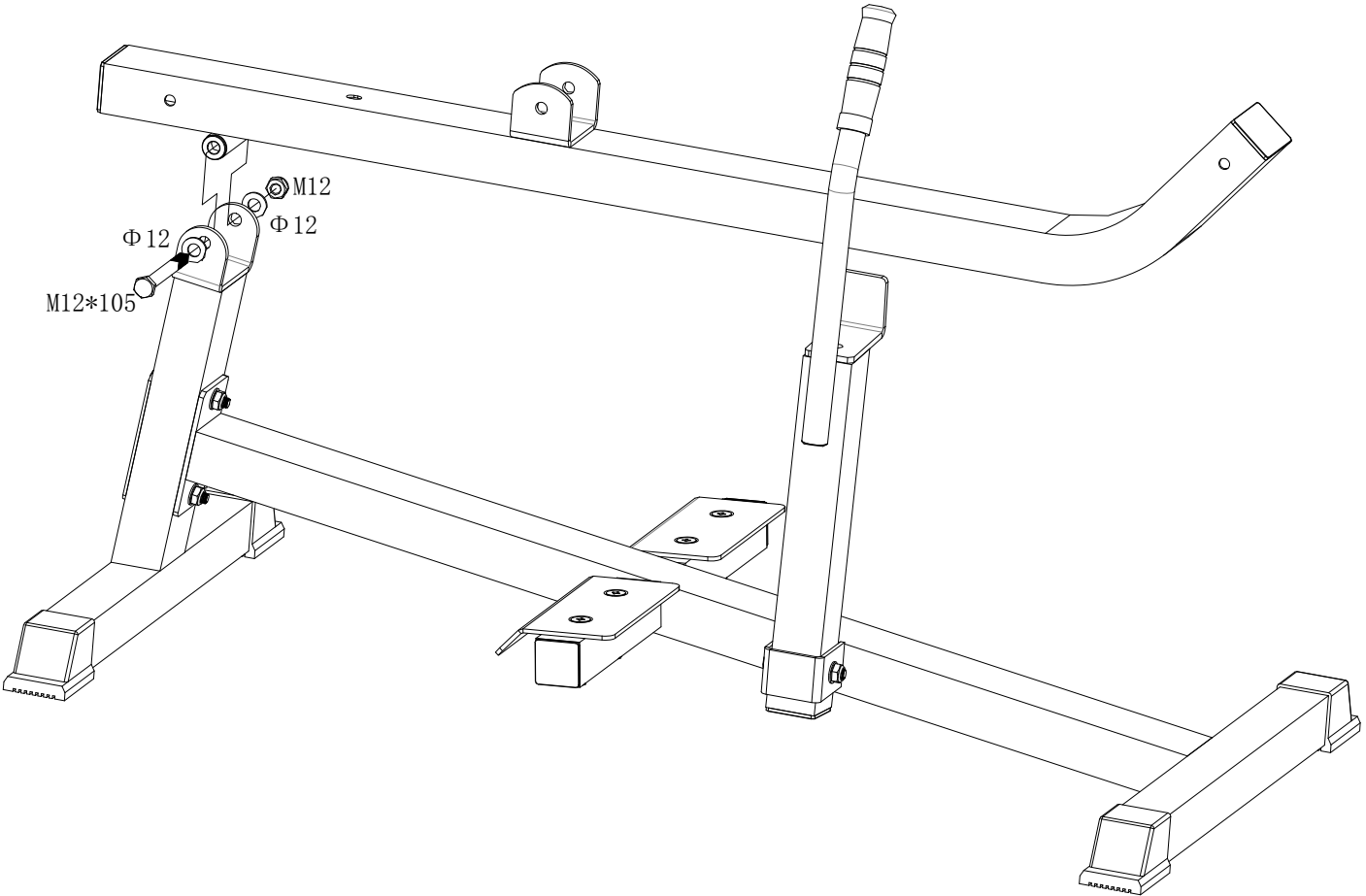
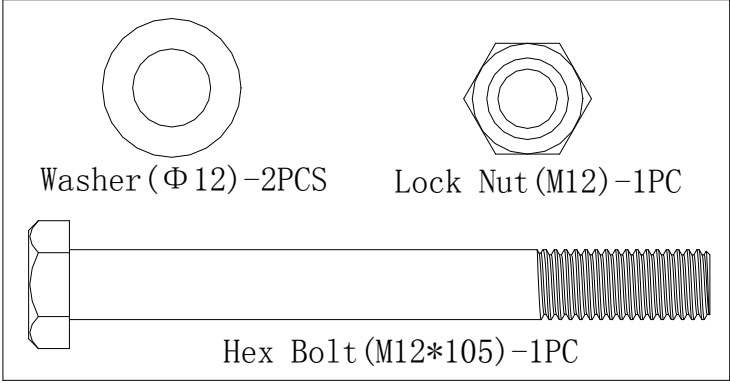
Hex Bolt (M10*75) - 2PCS



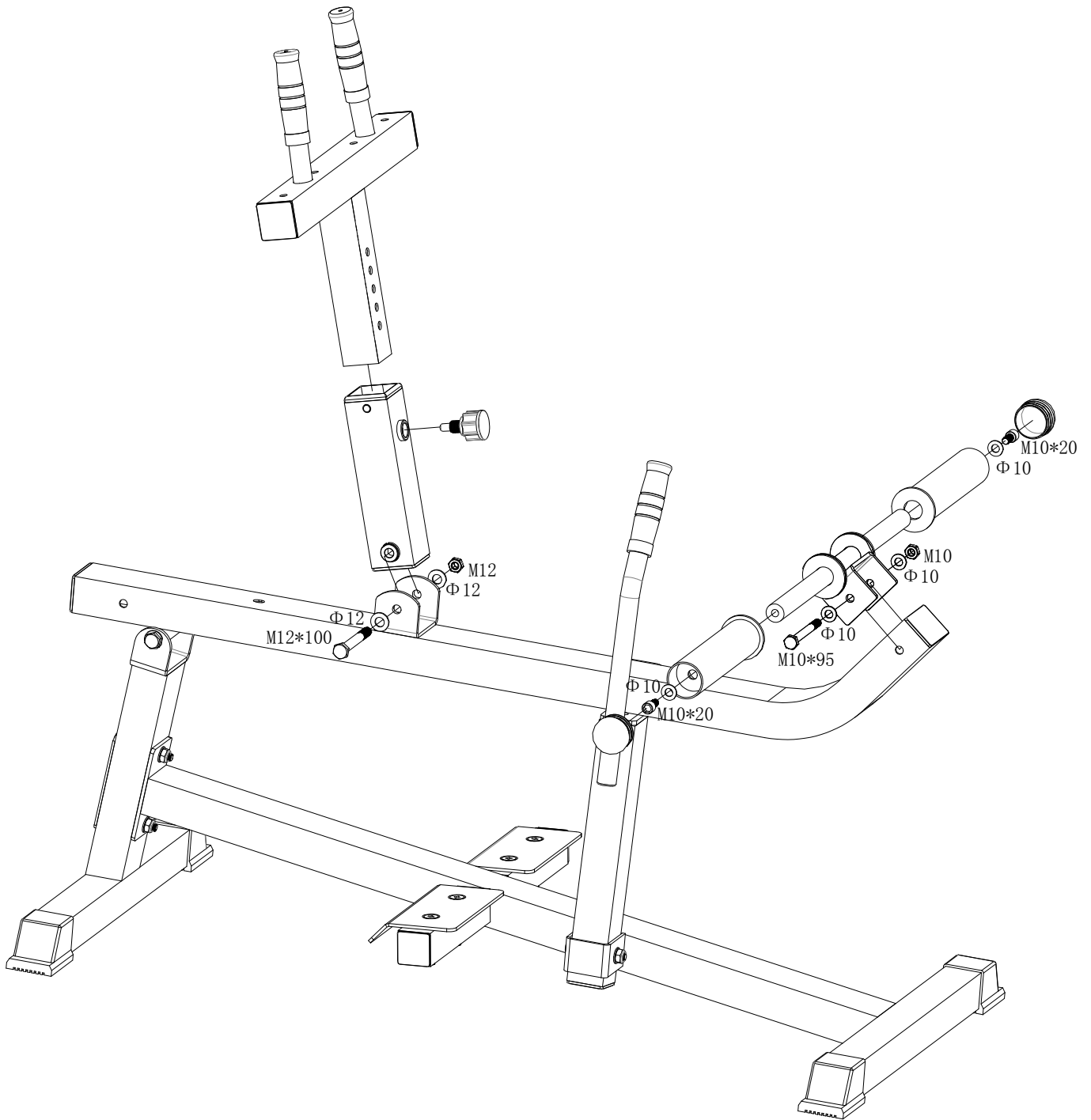
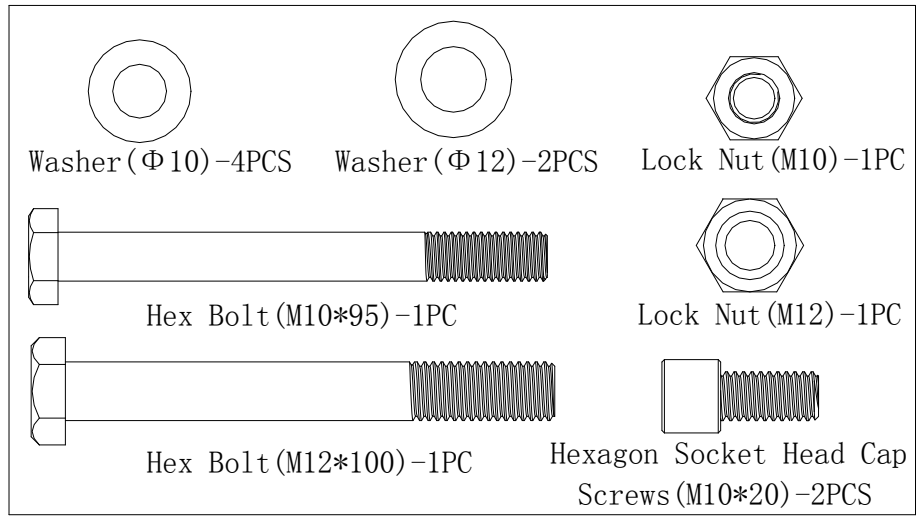
2



3



4



5

