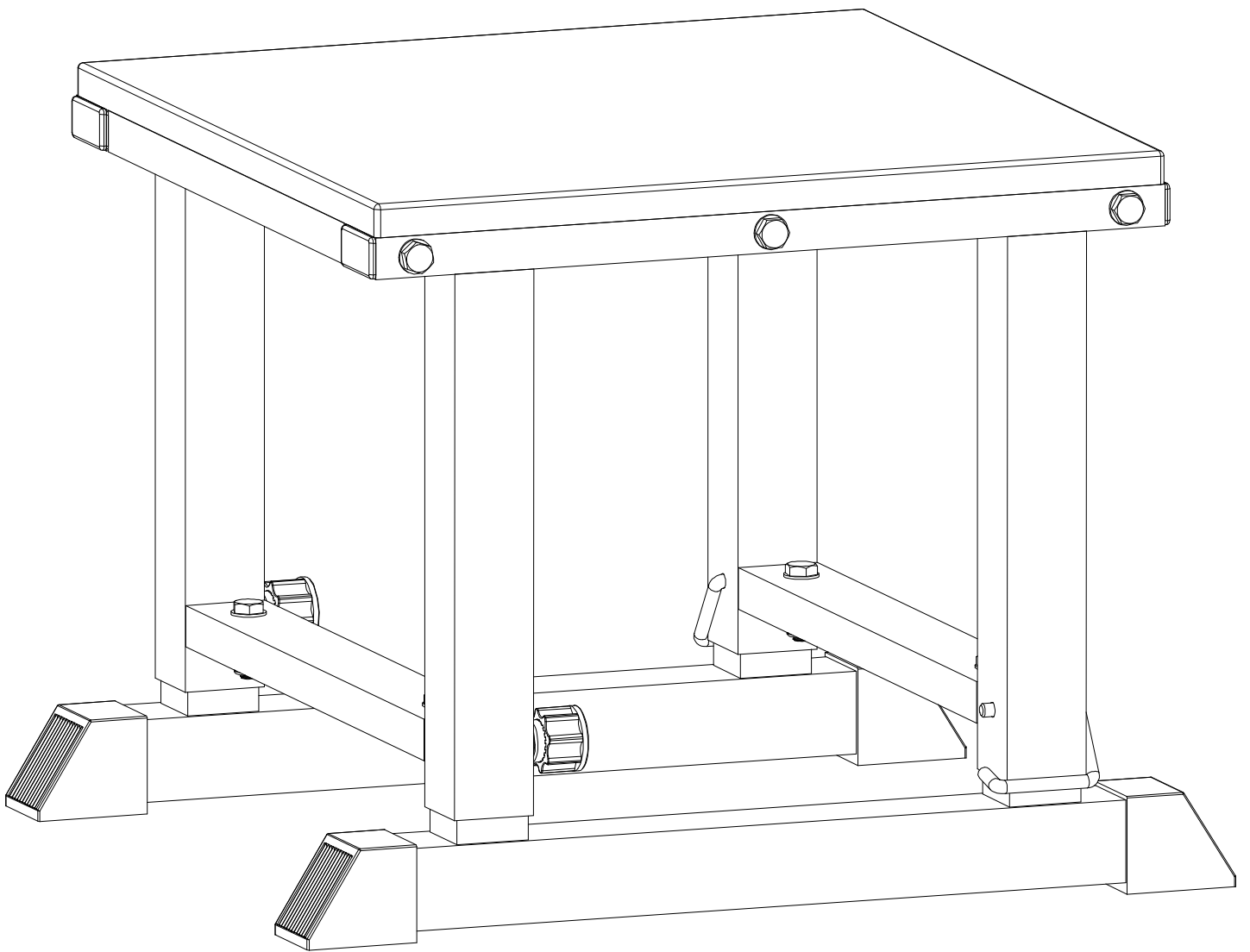


GORILLA SPORTS

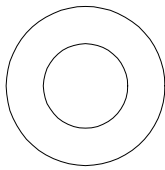
**Core height-adjustable plyo box
jump box from steel (100862)**





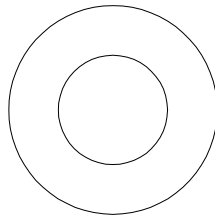
GORILLA SPORTS

Washer:
($\phi 8$)



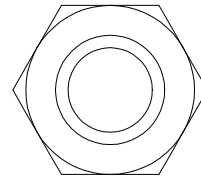
5X

Washer:
($\phi 10$)



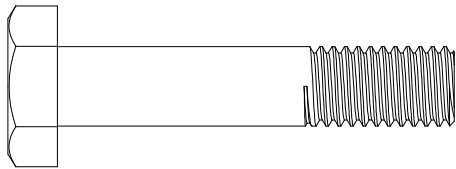
14X

Lock Nut:
(M10)

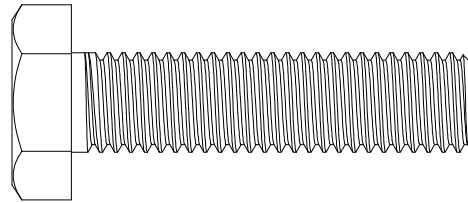


4X

Hex Bolt: (M8*45) Hex Bolt: (M10*40)

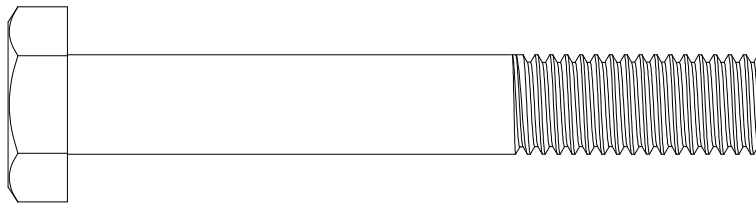


5X



4X

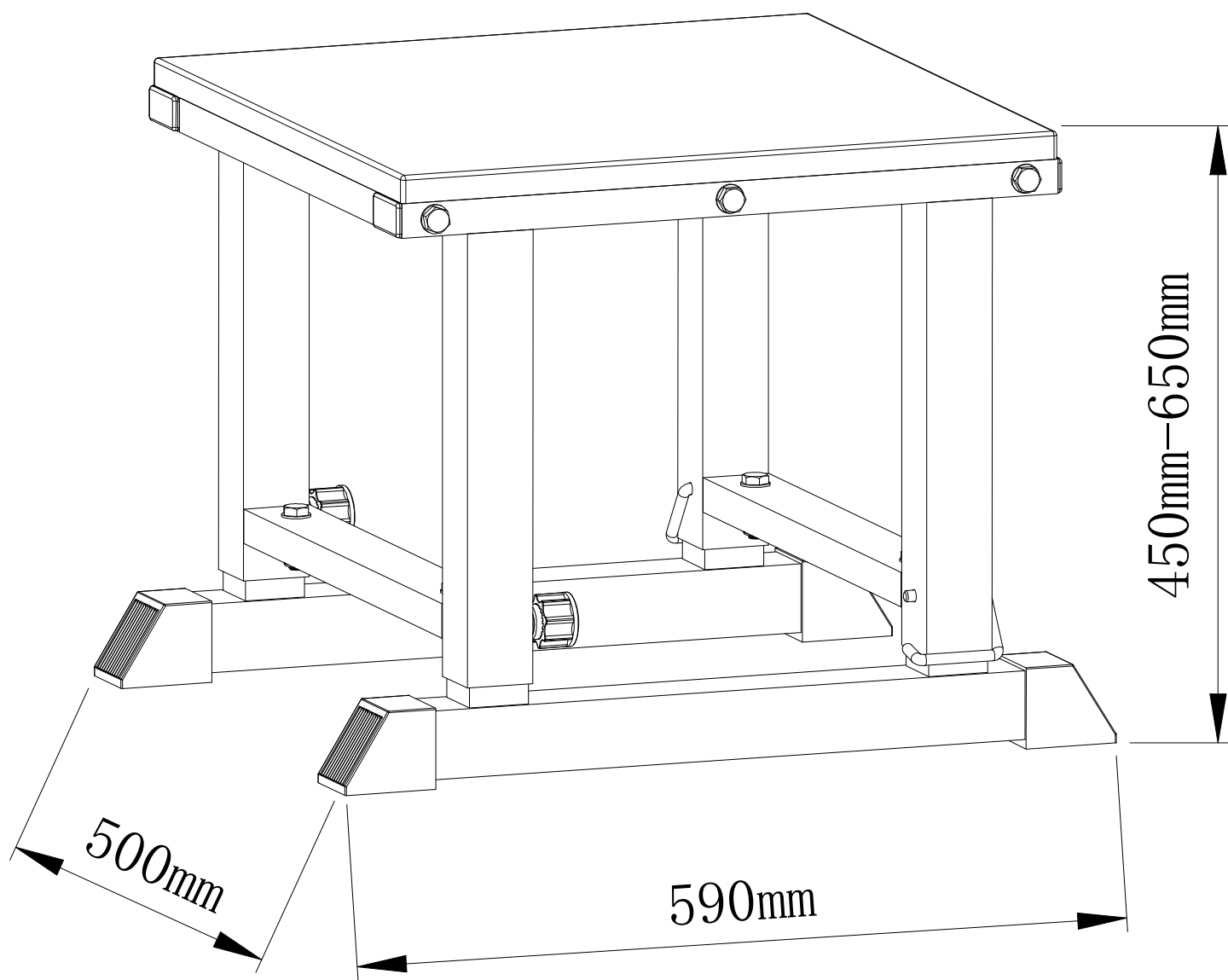
Hex Bolt: (M10*70)



6X

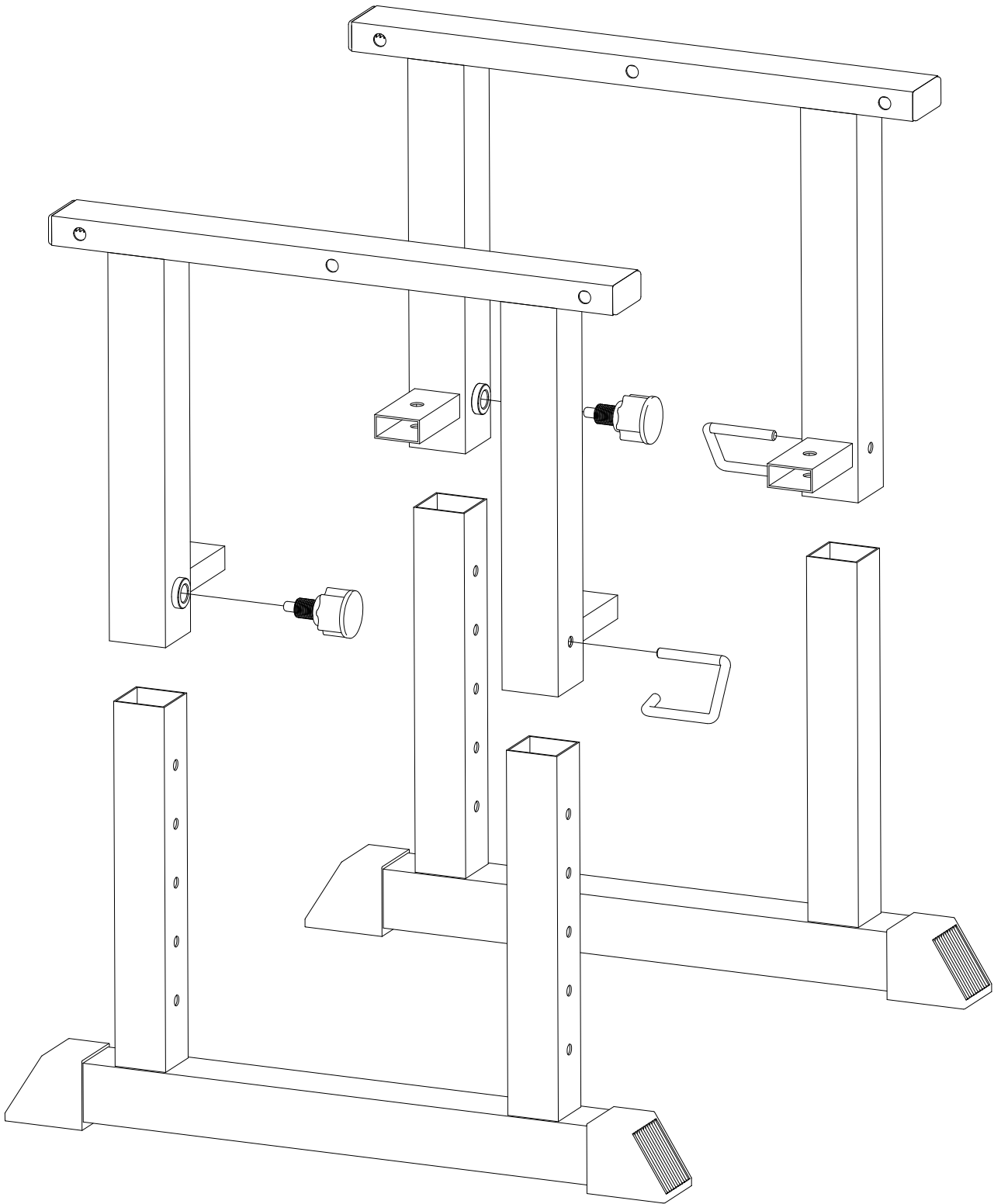


GORILLA SPORTS

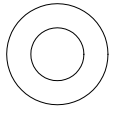
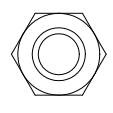
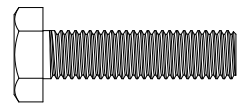


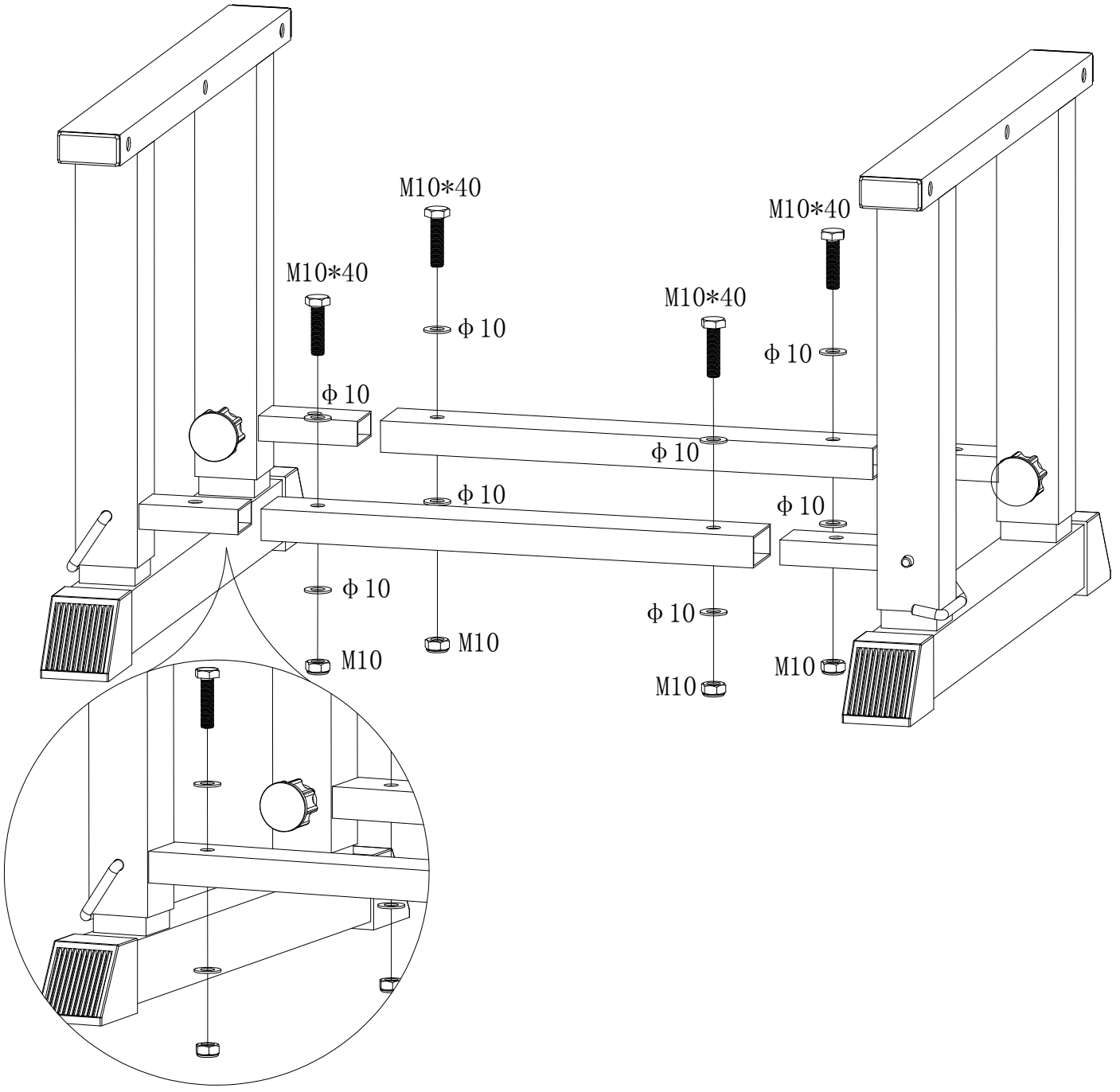
Maximum load: 300kg

1

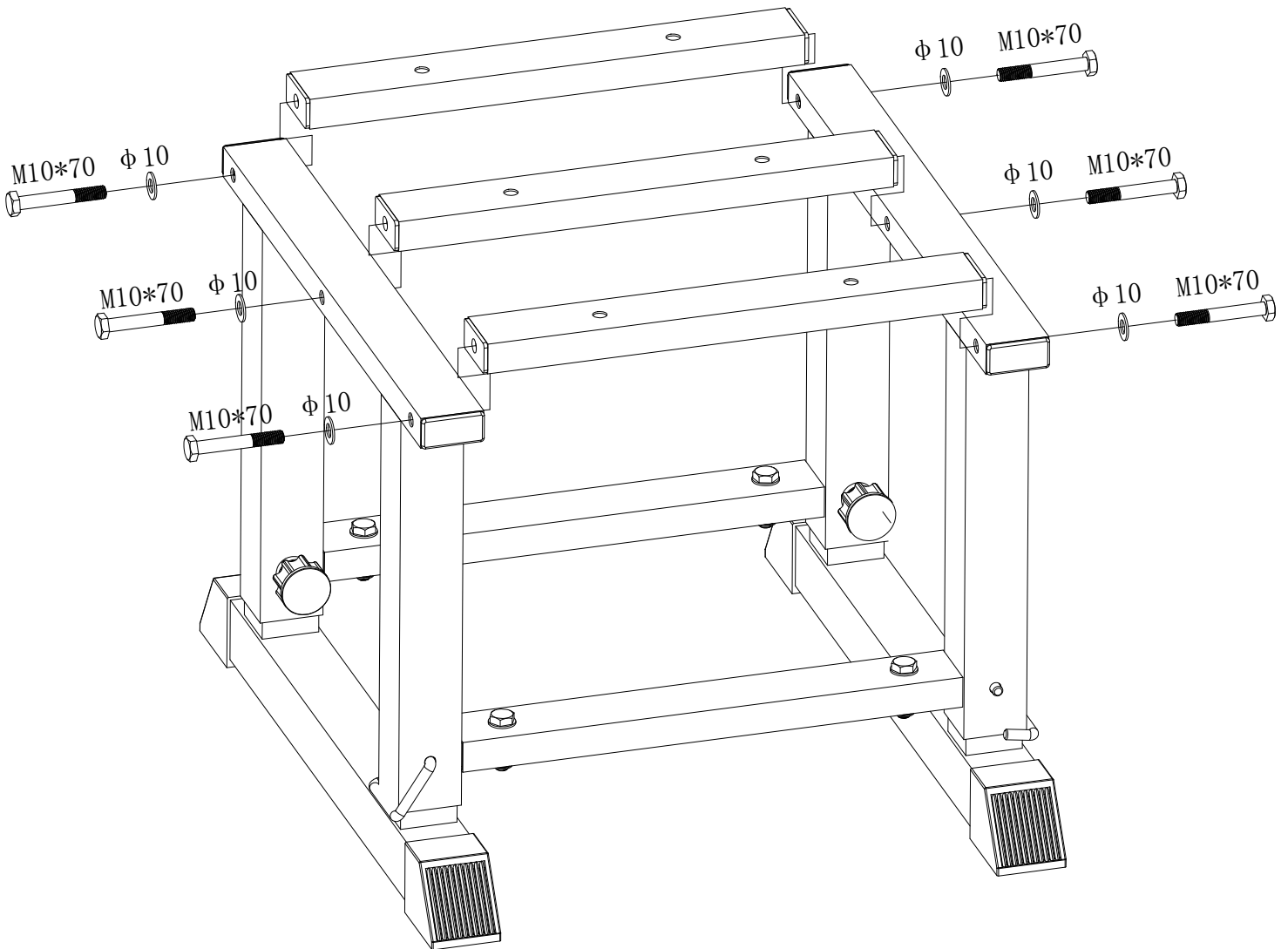
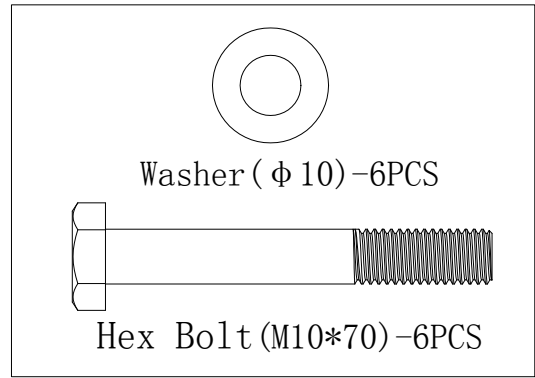


2

| | |
|---|---|
|  |  |
| Washer (ϕ 10) | Lock Nut (M10) |
| -8PCS | -4PCS |
|  | |
| Hex Bolt (M10*40) -4PCS | |



3



4

